

Identifying energy transformations

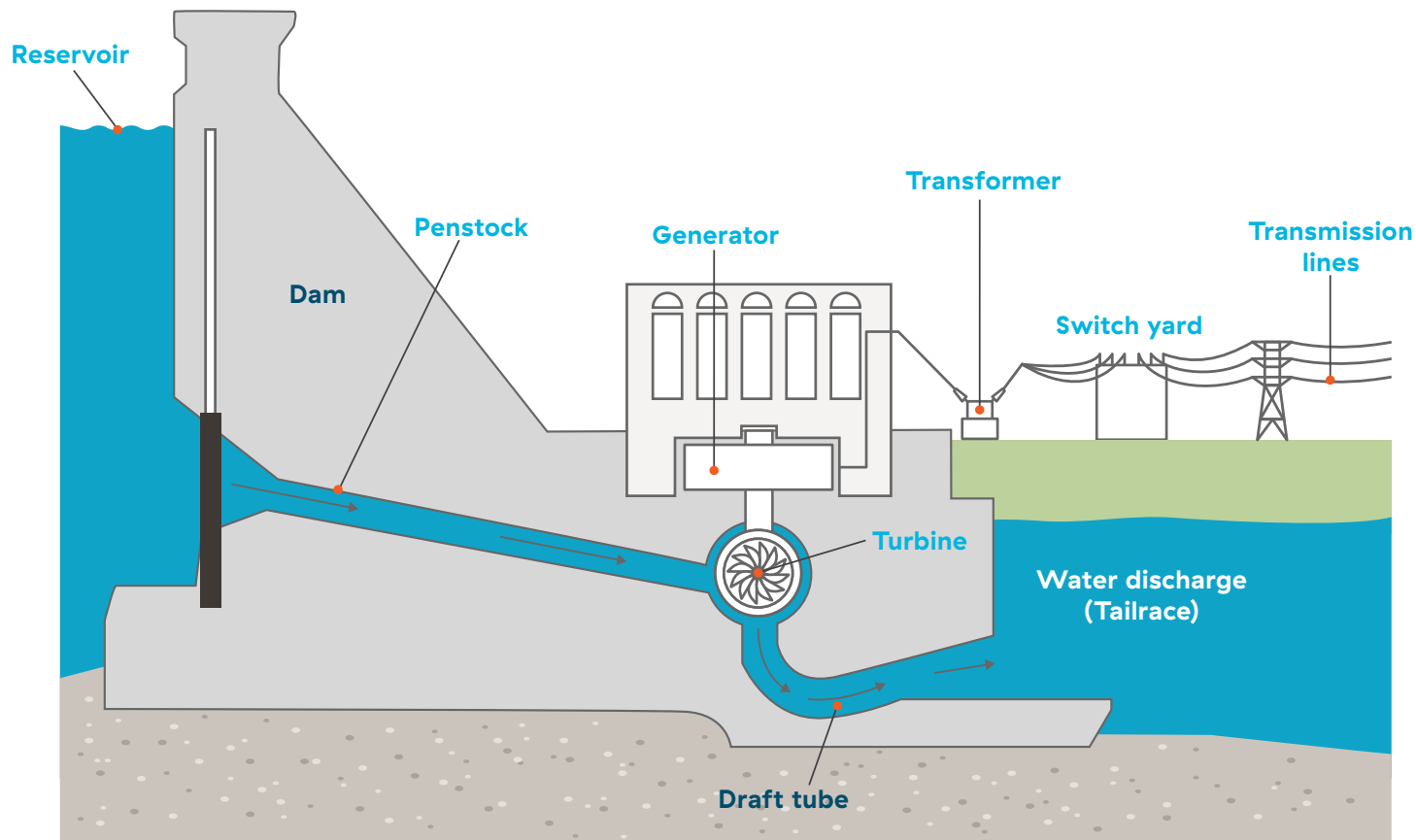
Power Smart for Schools

Name: _____

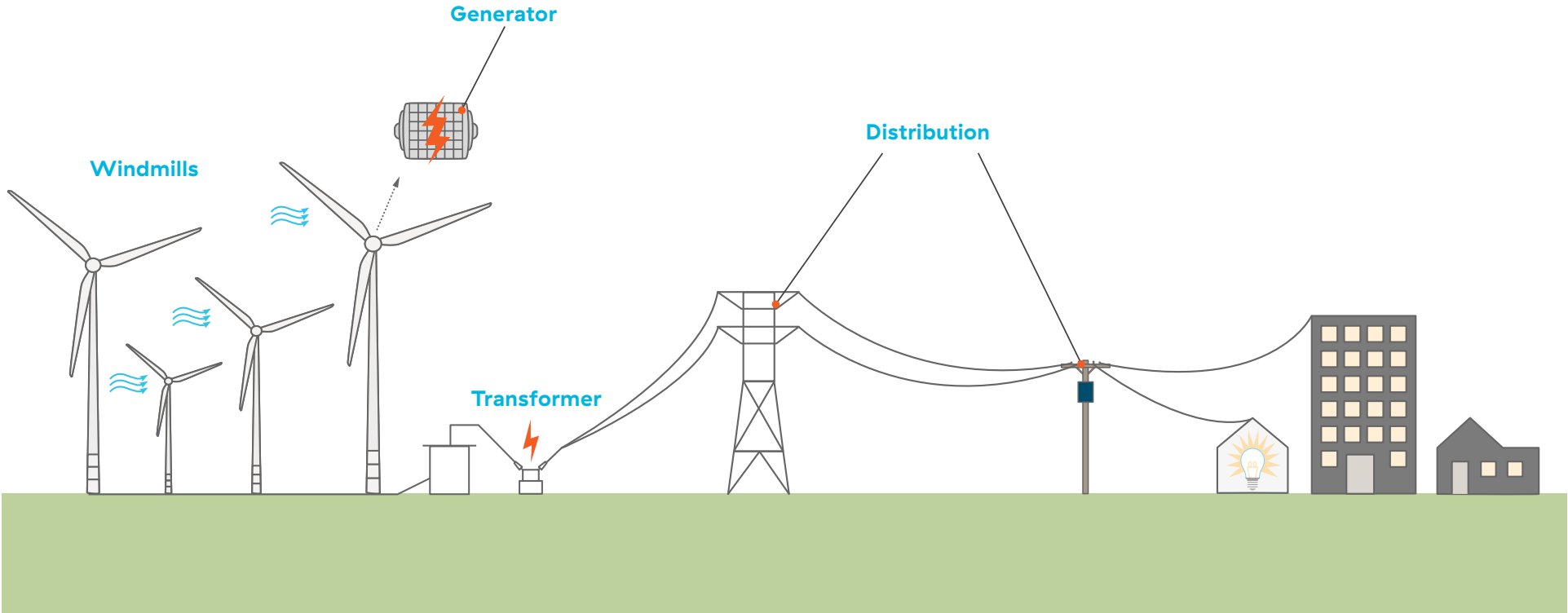
Date: _____

Circle areas in each image where energy transformations take place and write down the types of energy that are being transformed.

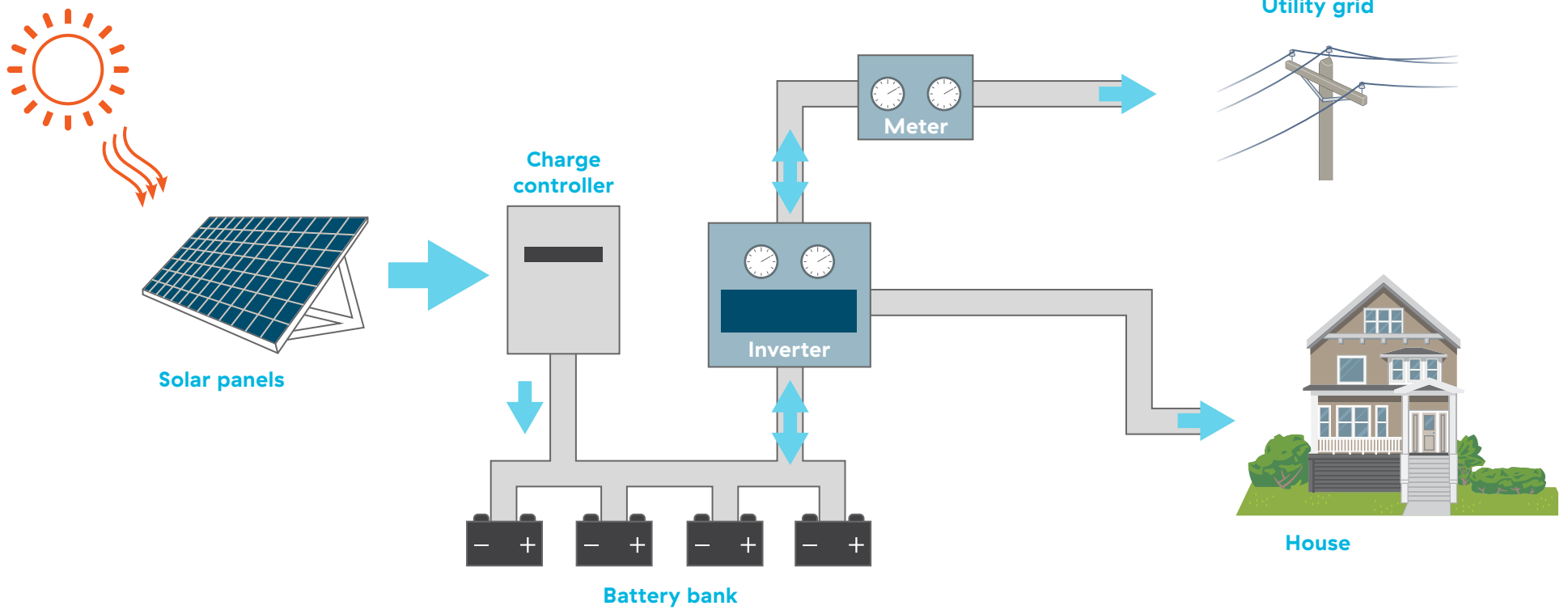
HYDROELECTRIC DAM



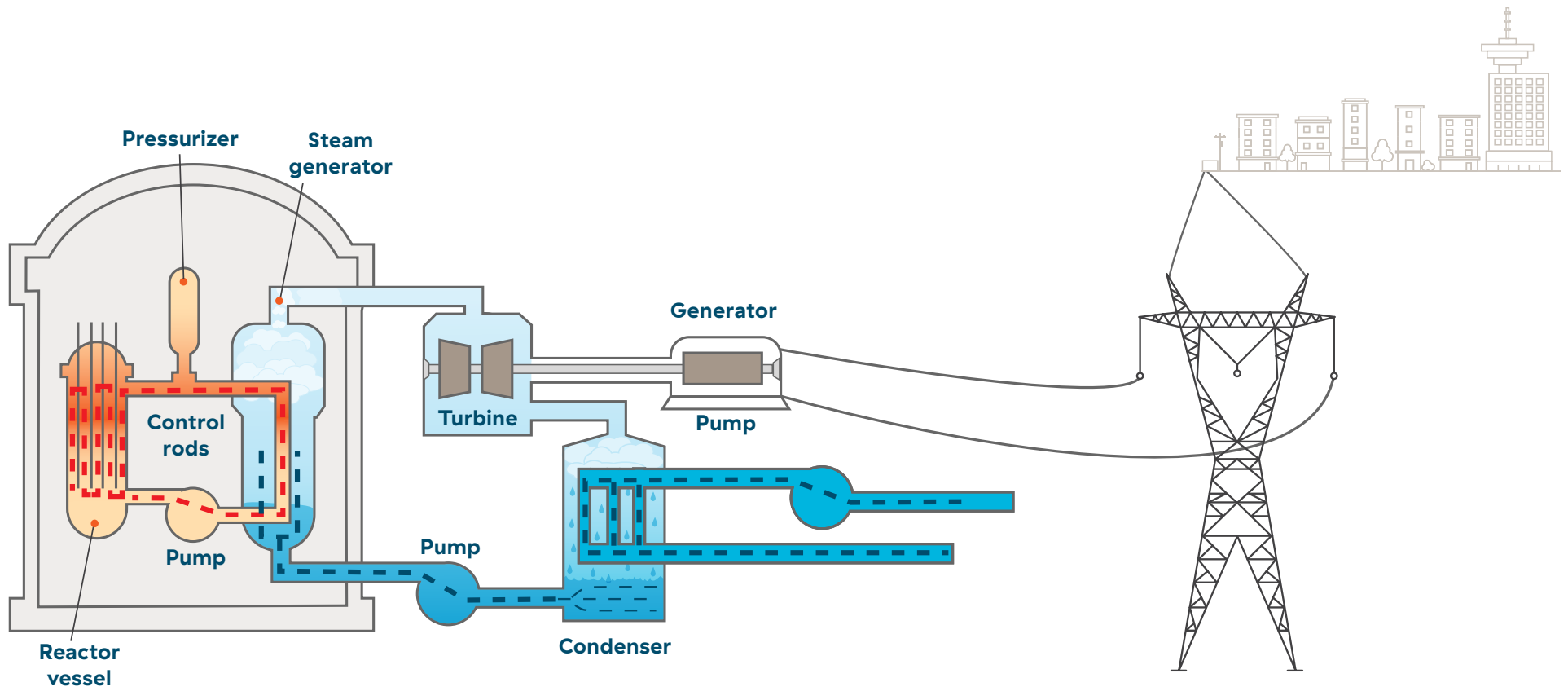
WIND POWER



SOLAR POWER



NUCLEAR POWER



COAL—FIRED POWER

